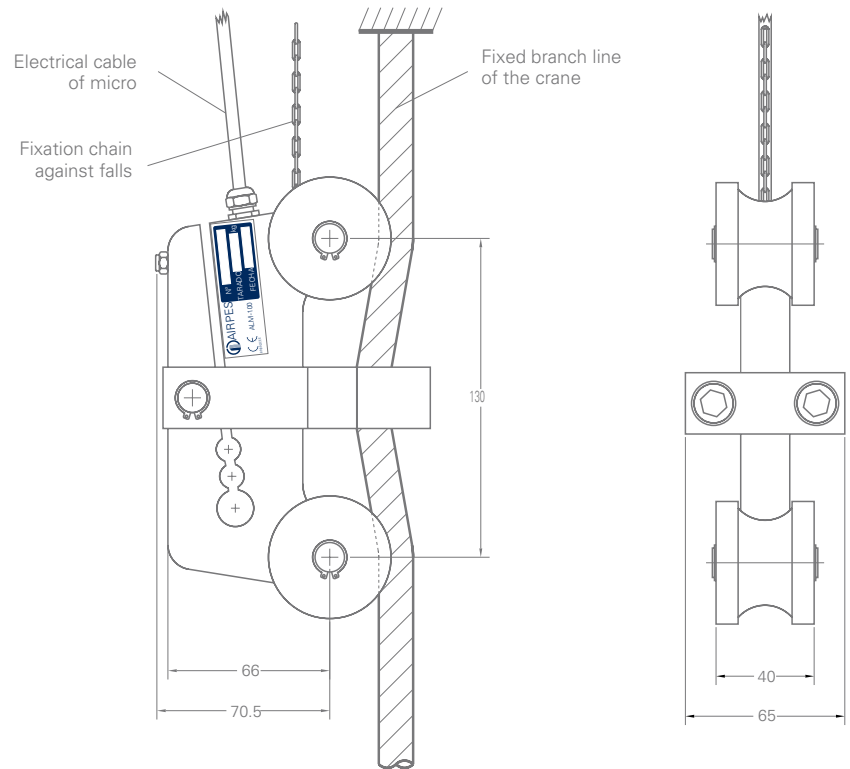


Mechanical Load Limiter ALM/M-100



airpes®



General information:

The mechanical load limiter model ALM/M-100 has been designed to control the overload in elevation devices like cranes, overhead travelling cranes, hoists, elevators, etc.

This limiter is delivered at the desired tare, in order to facilitate the mounting of the technical services.

Characteristics:

Micro switch: 4A 250V AC

Work temperature: -30°C +60°C

Capacity: 250 Kg to 8,500 Kg

Fracture coefficient: 500%

Protection: Ip67 (prepared to work outside)

Cable diameter: 5mm to 31 mm

Precision: + / - 1%